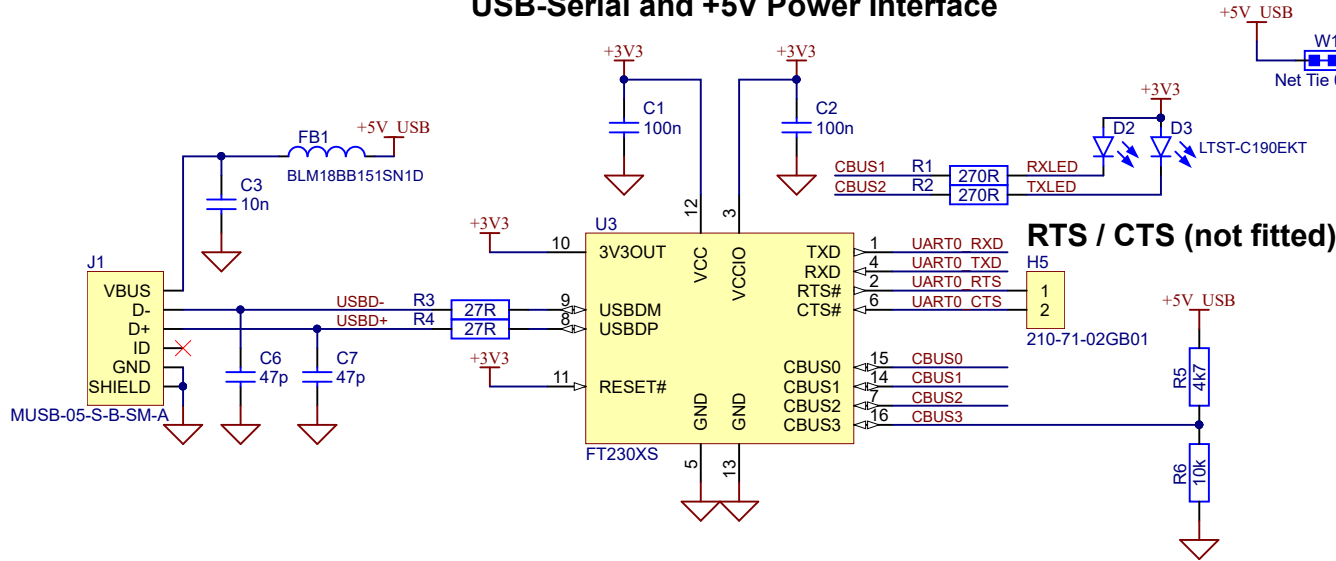
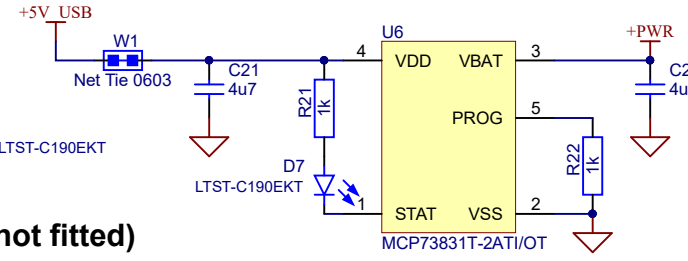


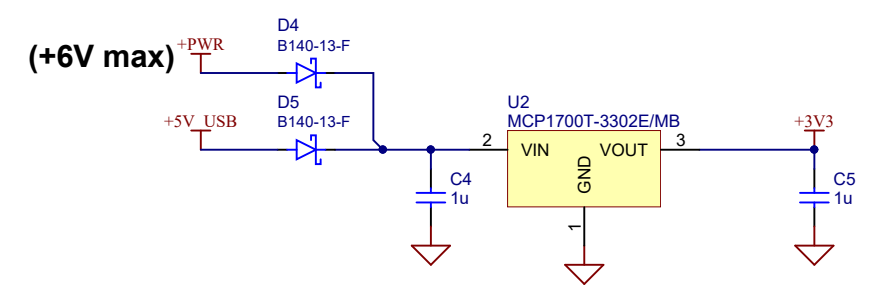
USB-Serial and +5V Power Interface



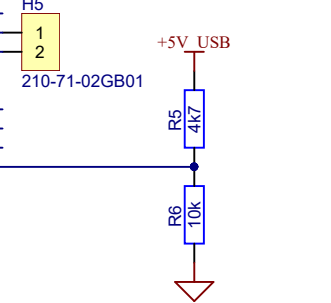
Li-Po Battery Charger (not fitted)



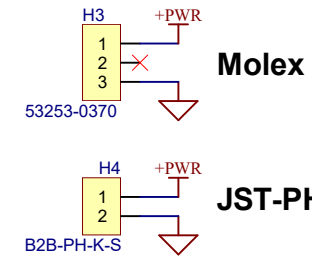
+3V3 ultra-low power LDO linear regulator



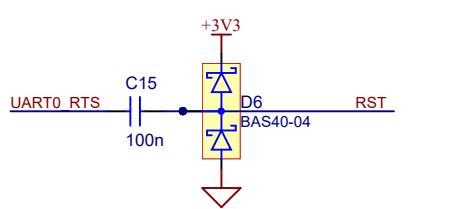
RTS / CTS (not fitted)



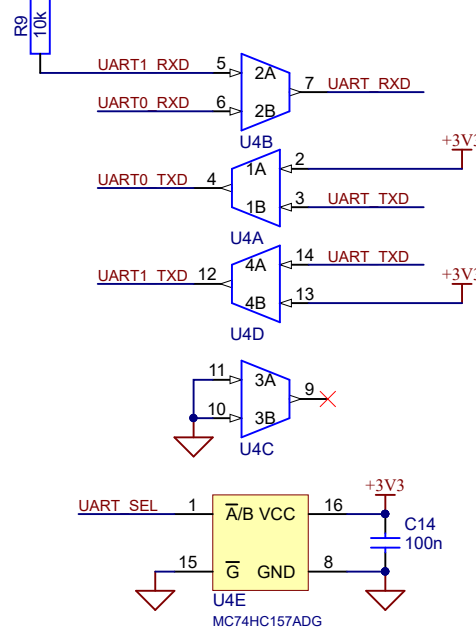
Li-Po Battery Connector (not fitted)



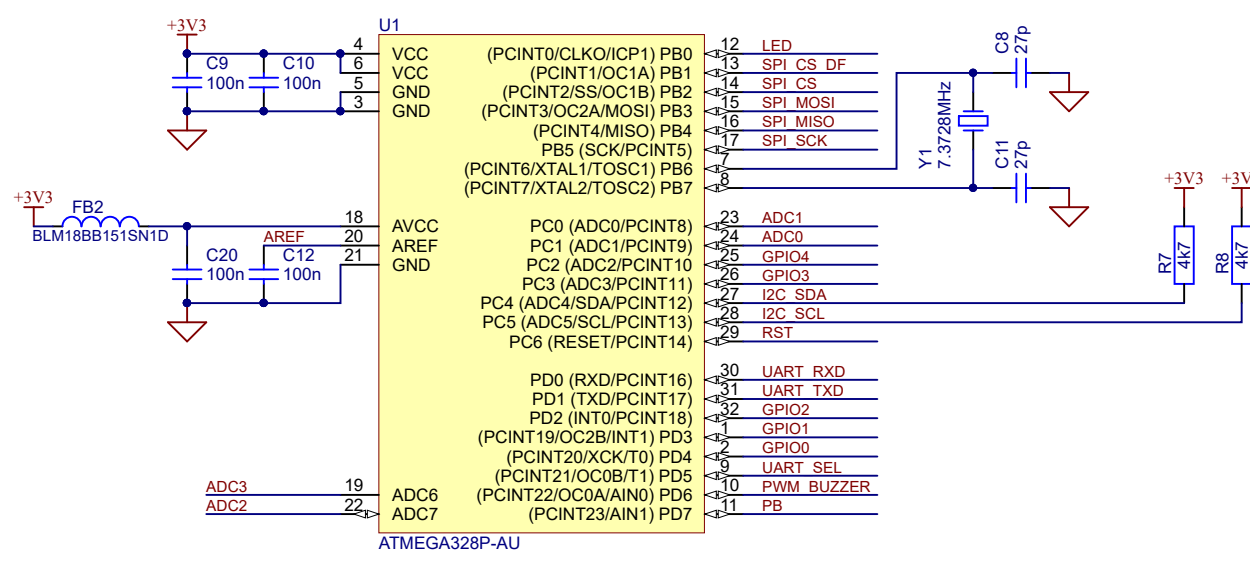
RTS controlled reset (not fitted)



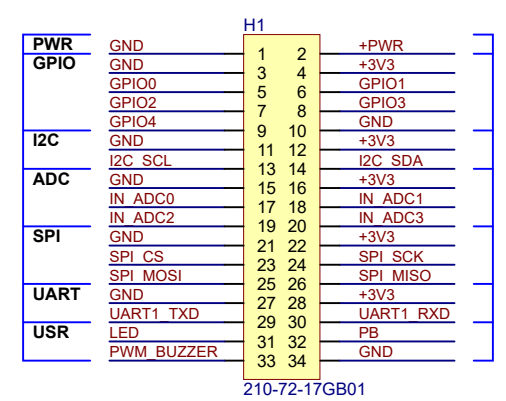
UART Multiplexer



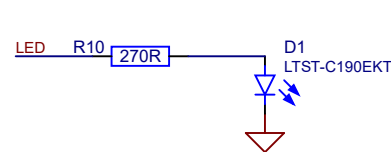
Microcontroller



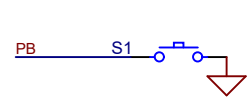
Peripherals (header not fitted)



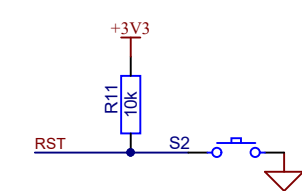
User LED



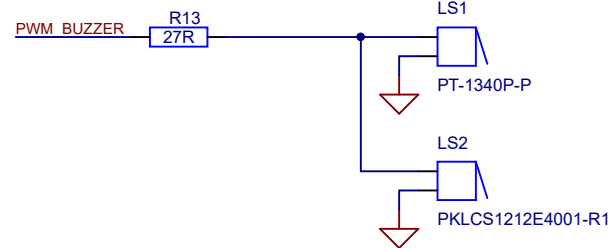
User Button



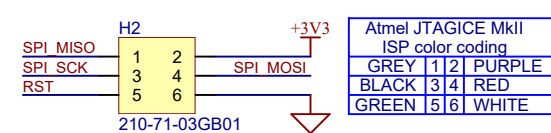
Reset Button



Buzzer

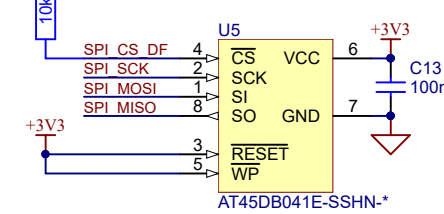


ISP/DBG (not fitted)

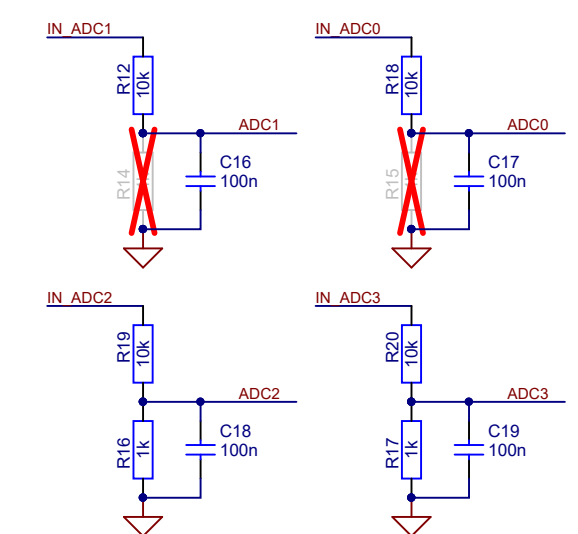


Mod1: Added pull-up resistor on CS to avoid ISP conflict

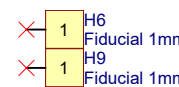
DataFlash



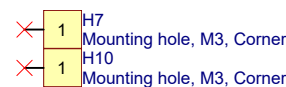
ADC scale and filter circuitry



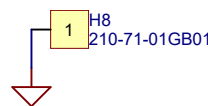
Fiducials



Mounting Holes



GND Test Point



BOM



		PCB NAME Atmel ATmega328P Scorpion Board	PCB NUMBER P0001
SCH PAGE TITLE Scorpion Board		PCB REV F	
SHEET 1 OF 1	DATE 2014-07-28	VARIANT Deluxe Version	
DRAWN BY Pieter Conradie	PROJECT ENGINEER Pieter Conradie	TEMPLATE REV 01	
COPYRIGHT © 2014 PICONOMIC (www.piconomic.co.za) ALL RIGHTS RESERVED			